

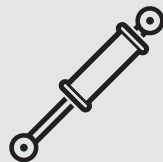


JEHEL

HYDRAULIC TRUCK UNLOADER



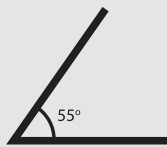
24 x 7 x 365
spares & service availability



High Quality
Components



Robust design



55degree safe tilting



Unloading in
less than 6-7 mins



High Return on
Investment

Description:

Hydraulically operated unloading platform, where the platform tilts up to at an angle of 55 degrees to unload materials from conventional trucks and containers. It is the fastest method to unload trucks, trailers & containers.

Application:

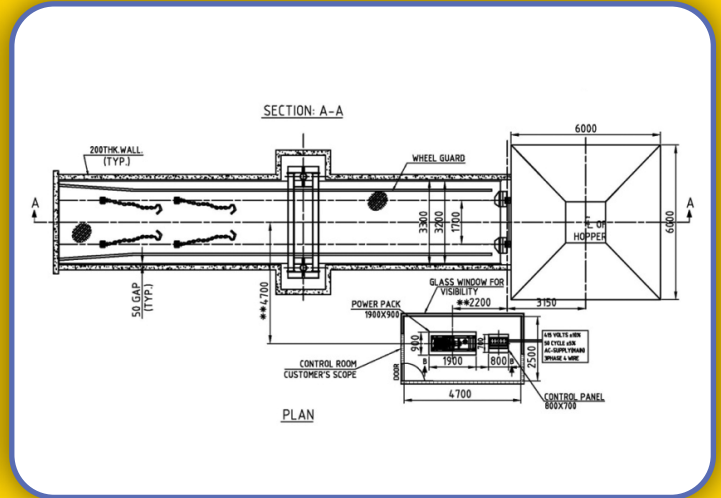
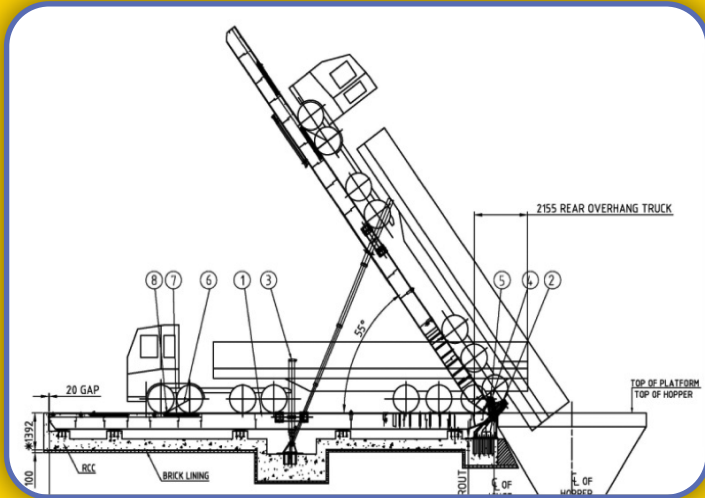
HTU is widely used in all industries where materials are unloaded manually from trucks.

Technical Specification:

This model comes in two different variants namely Mark II and Mark III (Ramp Saver) with capacity ranging from 40 to 100 tons with customized platform size.

HYDRAULIC TRUCK UNLOADER

SAMPLE GENERAL ARRANGEMENT OF 100 Ton HYDRAULIC TRUCK & TRAILER UNLOADER:



Presently we are manufacturing different models of Hydraulic Truck tippler of capacities:

40 Ton	50 Ton	60 Ton	70 Ton	80 Ton	100 Ton
--------	--------	--------	--------	--------	---------

Please note that the above information is indicatory only. We customize our equipment as per the site condition and customer's specific requirement.



JAYPEE ENGG. & HYDRAULIC EQUIPMENT CO. LTD.

Regd. Office: 24, Strand Road, Kolkata-700 001, West Bengal, INDIA
Tel : 91-33-2230 5810 / 4093 Fax : 91-33-2230 7199

Office & Works: Chandannagar (Memonpur), Budge Budge Trunk Road,
Maheshtala, Kolkata - 700 139 West Bengal, INDIA
Tel : 91-33-2490 1414 / 5332 / 5333, 91-33-3293 2291 Fax : 91-33-2490 1313

E-mail: info@jehel.com Website: www.jehel.com